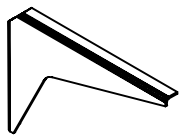
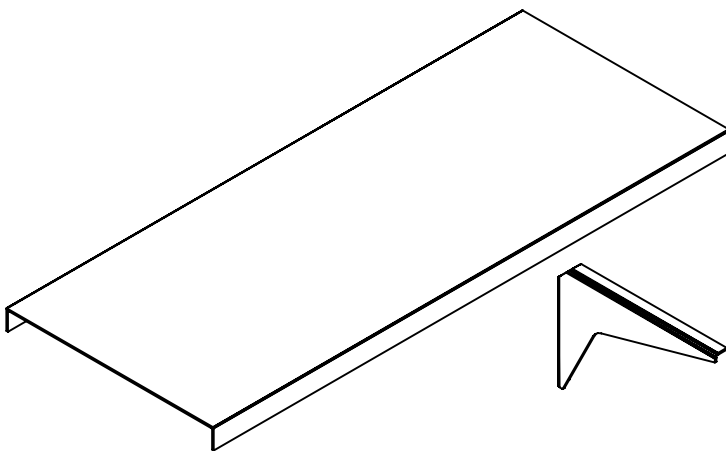
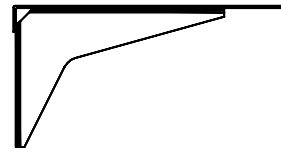
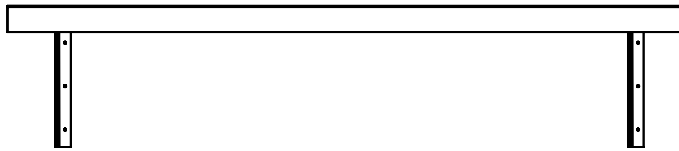
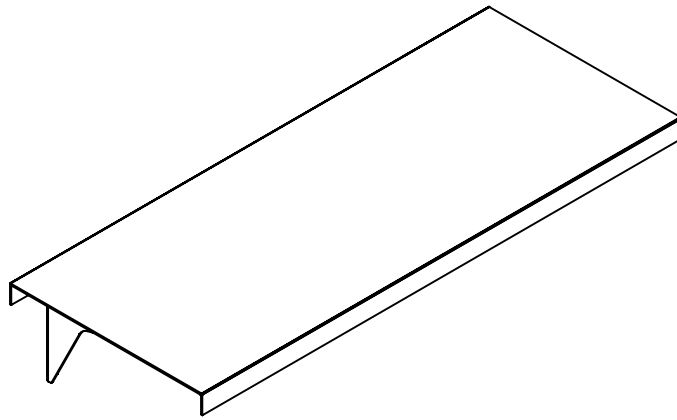


# REVUE VINO

## Tabletop



### PARTS LIST

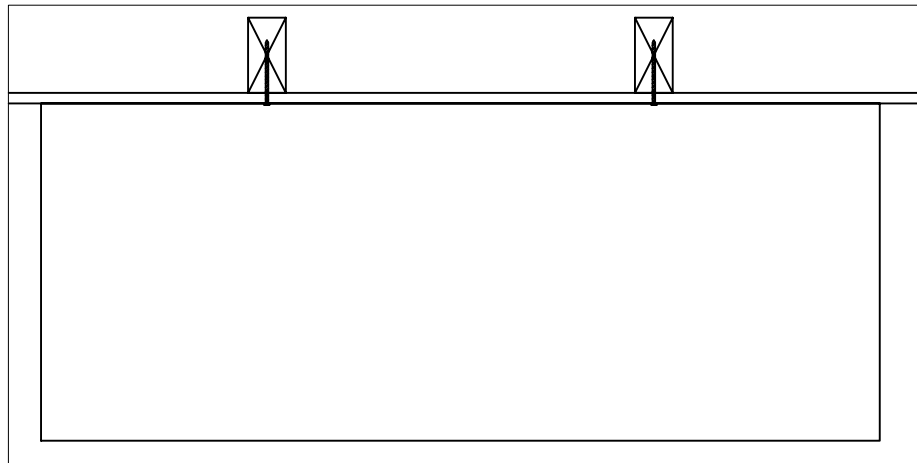
#	QTY	DESCRIPTION
A	1	Revue Tabletop
B	2	Revue Bins

Wine Rack Concepts  
1630 Sherman Avenue  
Cincinnati, OH 45212

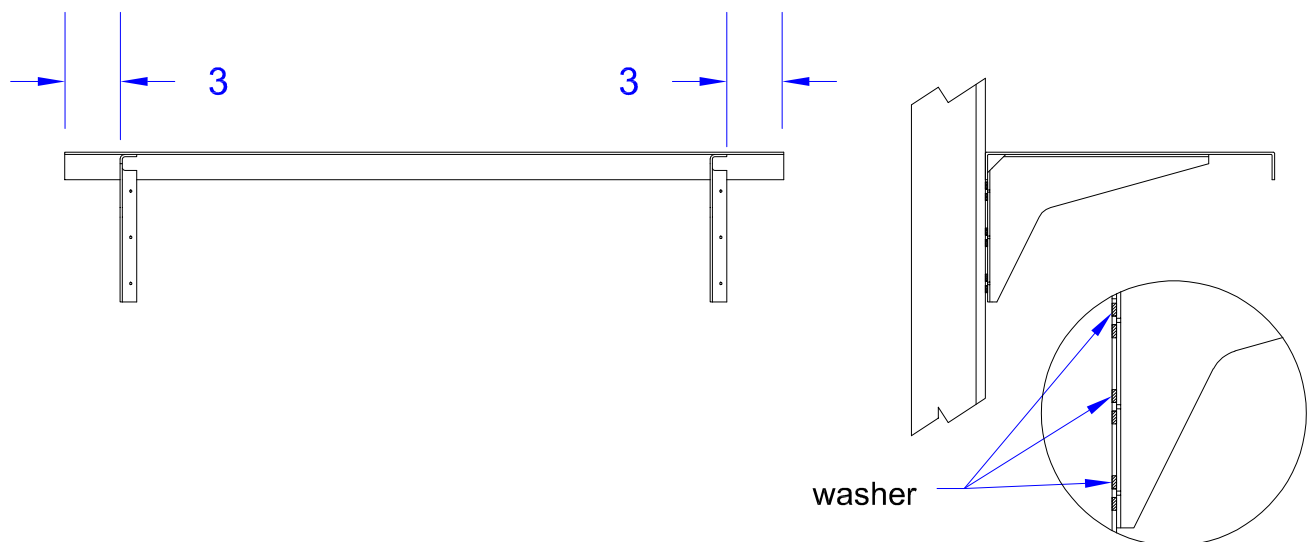
513-644-5300  
contactus@winerackconcepts.com  
www.winerackconcepts.com

1. Find the studs in the wall. Drill 2 holes in the underside back lip of the table, assuming existing holes are not in the proper location, and secure with a couple of wood screws (2-3" range).

The existing holes and drywall anchors can also be used, but most installers prefer to really hold it in tight by using the studs.



2. Install the supports under the table. Bring them in about 3" from the ends.



3. When installing on Floor-to-Ceiling posts, put a double sided tape on top of the brackets. and then set the tabletop on that. Secure the table to the 4 FTC posts using self tapping screws so it does not move. You can pre-drill it as well using 1/8" drill bit if you prefer.

